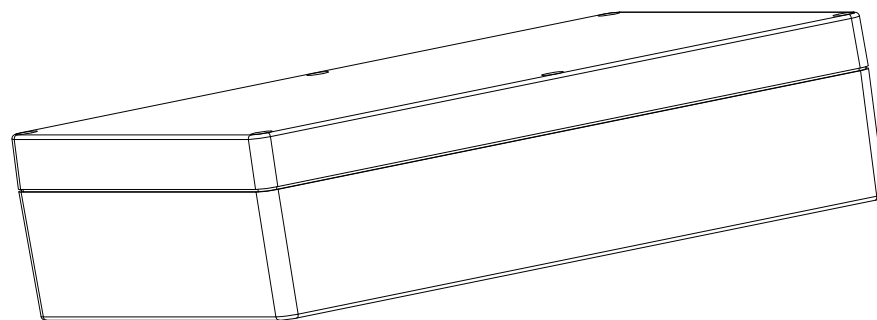
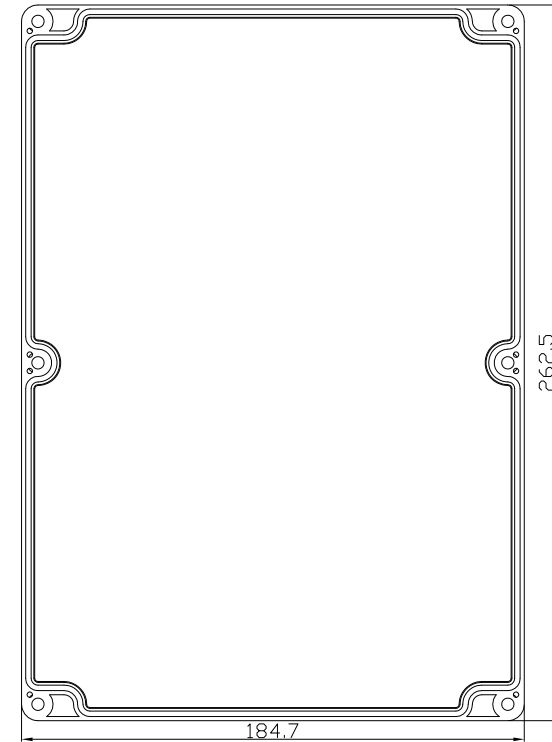
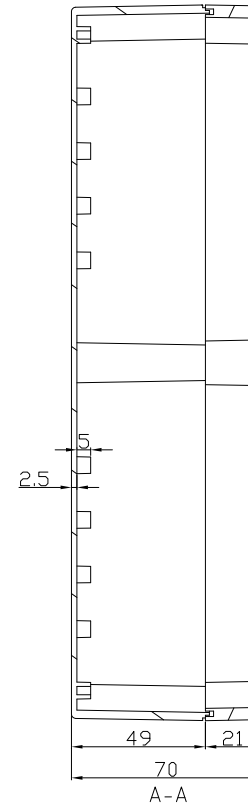
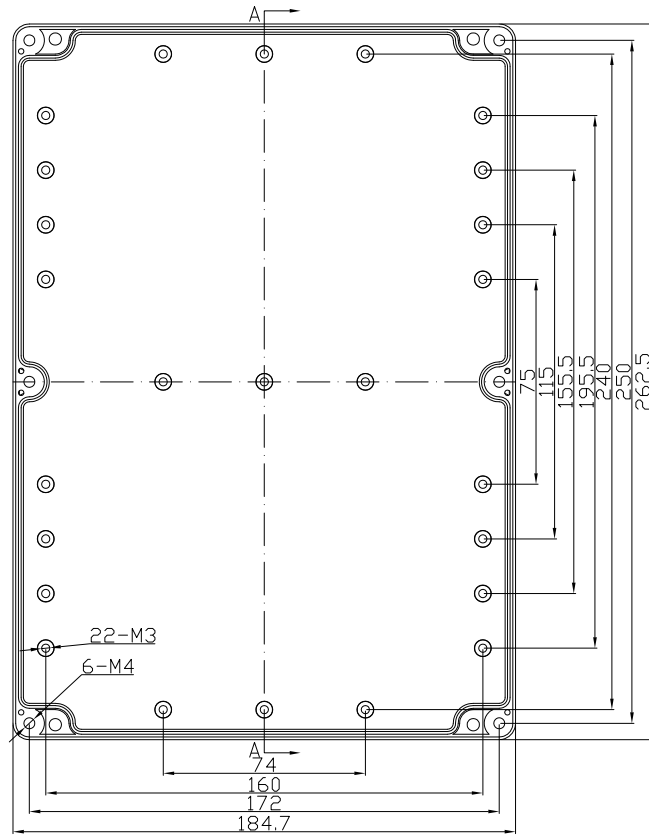


REVISION RECORD				
REV	ECD	DESCRIPTION	DRFT	CHKD



DETACHED LISTS			DRAWN	NAME	DATE		EVEREST WWW.EVERESTCASE.COM
	TOLERANCES EXCEPT AS NOTED		CHECKED	Aaron	01/21/2015		
	MM		ENG APPR.				
	.0 ± 0.3	±	MATERIAL : ABS		TITLE		
.00 ± 0.2	±	QT'Y :		DRAWING NO. PW075	SIZE	REV	
0.00 ± 0.1	±	FINISH:		/PART NO. 00	A4		
ANGLES ± 5°		SCALE : 1:1		DO NOT SCALE DRAWING	SHEET 1	OF 1	
		FIRST ANGLE PROJECTION					