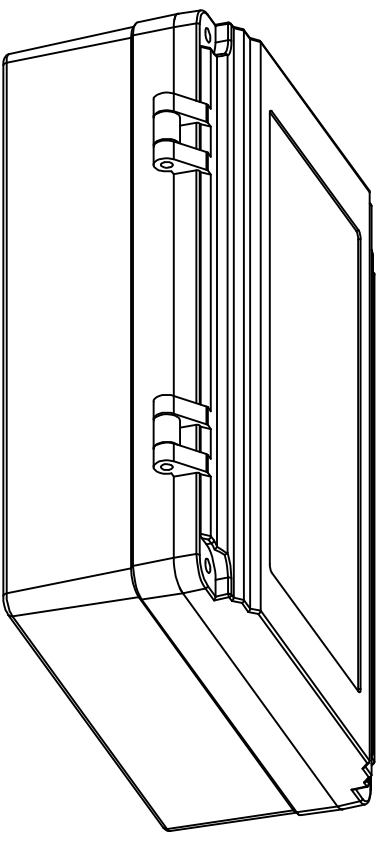
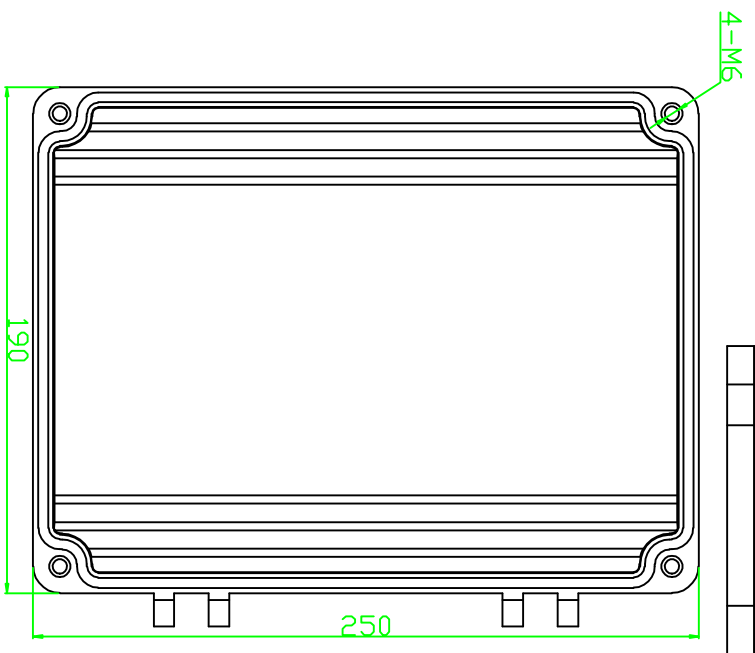
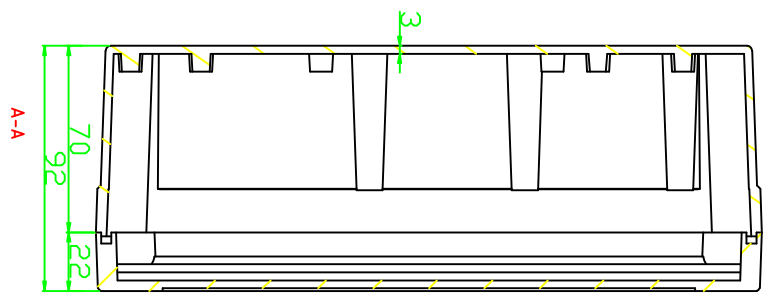
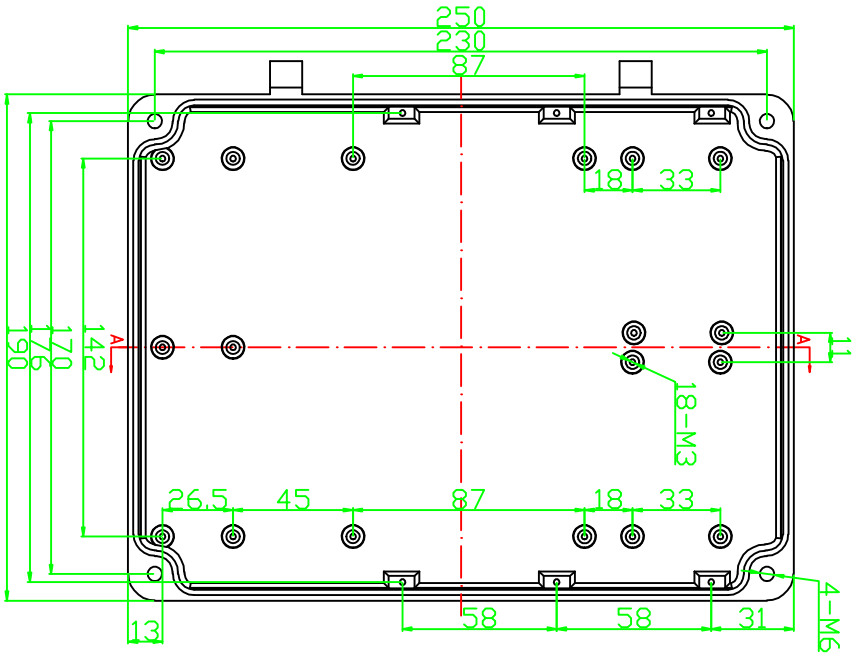


REVISION RECORD				
REV	ECO	DESCRIPTION	DRFT	CHKD



DETACHED LISTS		MM	(INCH)
TOLERANCES EXCEPT AS NOTED	MM	±	±
	MM	0 ± 0.3	±
	MM	.00 ± 0.02	±
	MM	.000 ± 0.01	±
ANGLES ± 5°	ANGLE	±	±
FIRST ANGLE PROJECTION	PROJECTION	1st	1st
DRAWN	NAME	DATE	
CHECKED	KEVIN	03/28/2015	
ENG APPR			
MATERIAL	AL		
QTY	1		
FINISH			
SCALE	1:1		
TITLE		DRAWING NO. <b>AW022</b>	
		/PART NO. <b>00</b>	
		DID NOT SCALE DRAWING	
		SHEET 1 OF 1	
 埃弗勒特 <b>EVEREST</b> WWW.EVERESTCASE.COM		SIZE	REV
		A4	