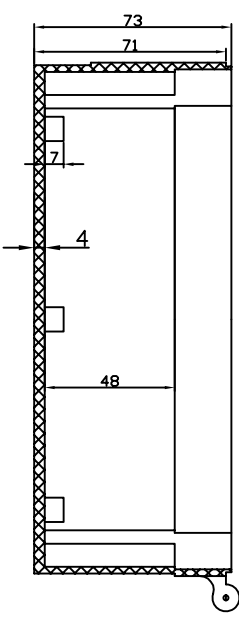
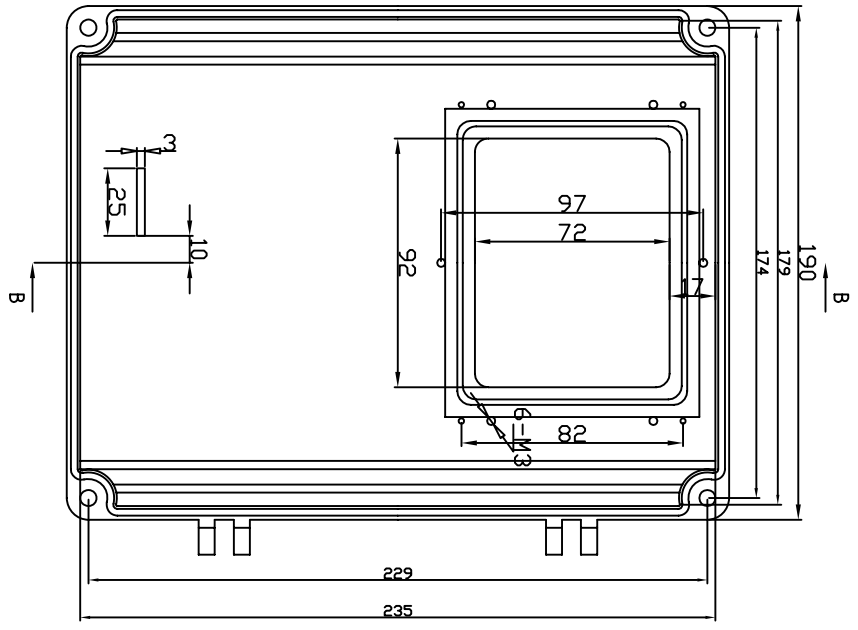
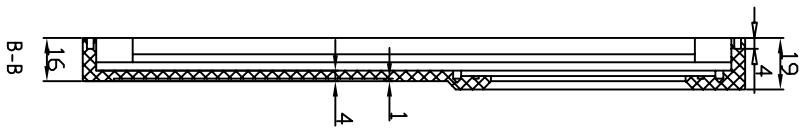
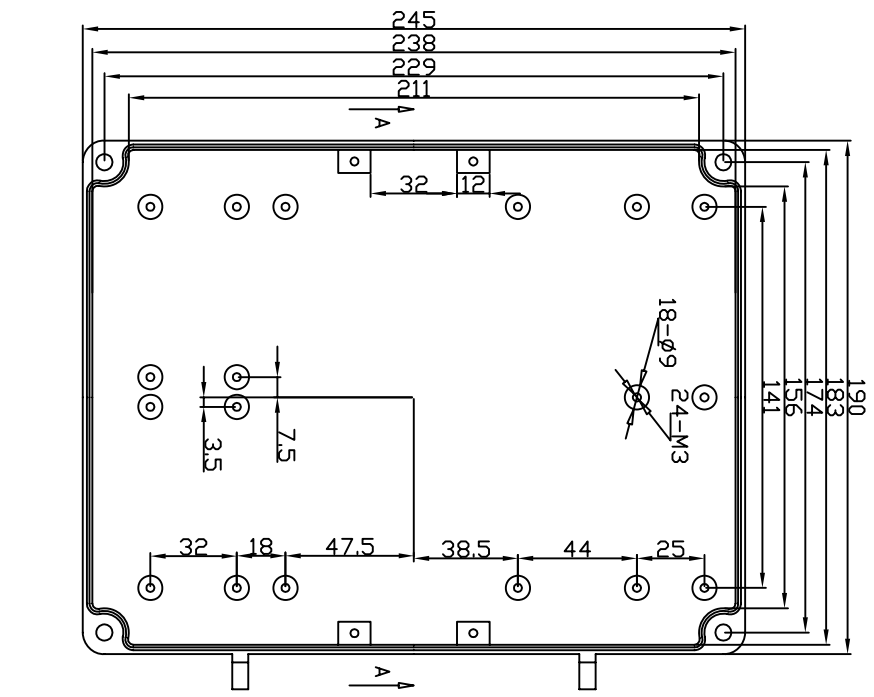


REVISION RECORD			
REV	ECN	DESCRIPTION	DRFT



DETACHED LISTS			
 THIRD ANGLE PROJECTION	MM (INCH)	DRFT	DATE
	TOLERANCES EXCEPT AS NOTED	CHKD	DATE
ANGLES ± 5°	±	APPL	DATE
0 ± 0.3 .01 ± 0.2 0.00 ± 0.1	±	MATERIAL: AL	DATE
QTY: 1	FINISH:	DRAWING NO. AW007	TITLE
SCALE: 1:1	DID NOT SCALE DRAWING	/PART NO. 00	AW007
SHEET 1 OF 1	SIZE A4	REV	EVEREST WWW.EVERESTCASE.COM