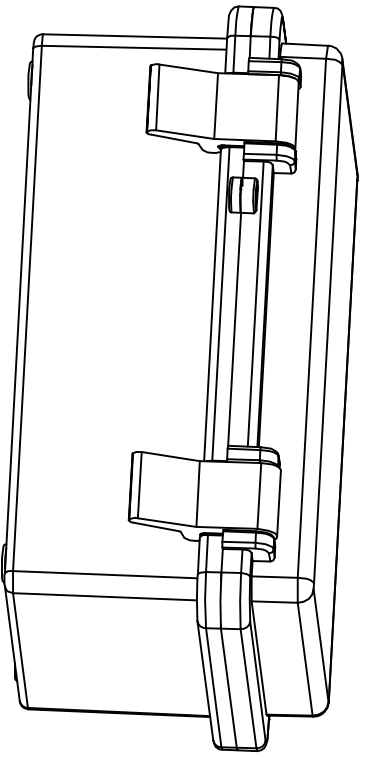
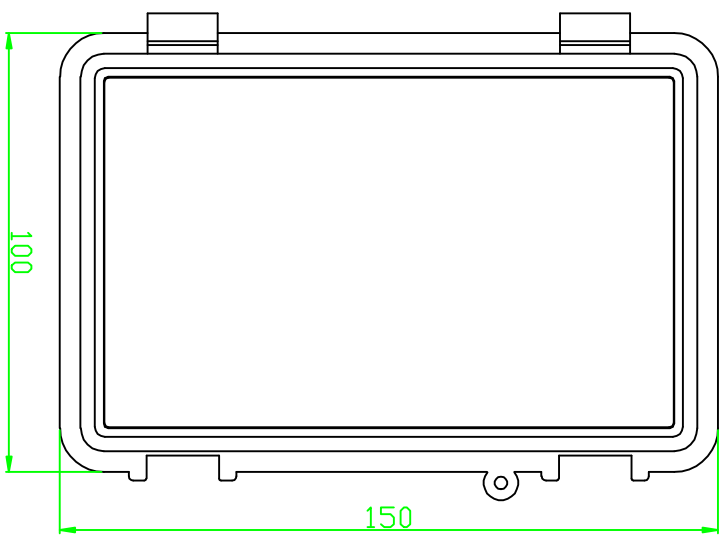
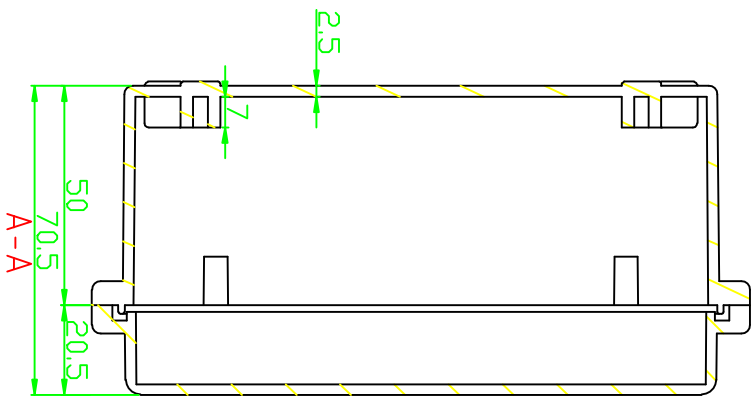
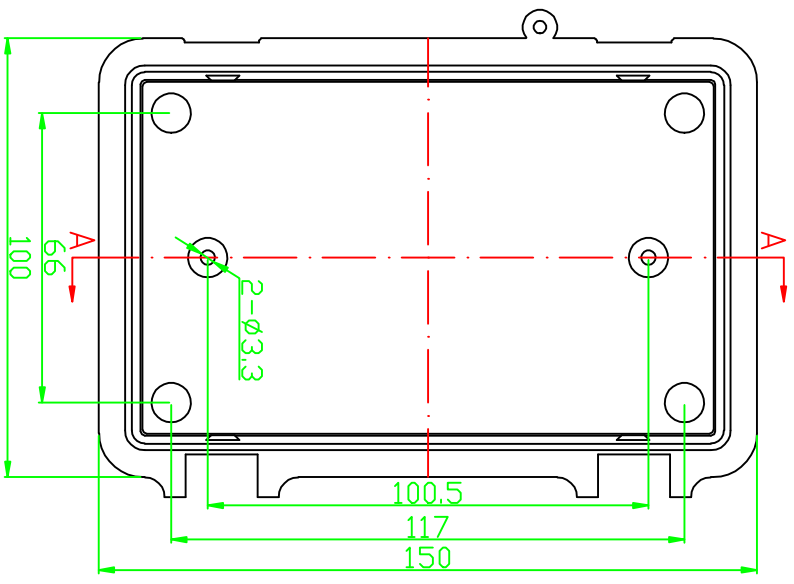


REVISION RECORD				
REV	ECD	DESCRIPTION	DRFT	CHKD



DETACHED LISTS		TOLERANCES EXCEPT AS NOTED	
MM	±	MM	±
0.1 ± 0.03		0.00 ± 0.02	
1.00 ± 0.1			
ANGLES ± 5°		FIRST ANGLE PROJECTION	
DRAWN: Kent		DATE: 10/26/2015	
CHECKED: ENG APPR		NAME: Kent	
MATERIAL: ABS		SCALE: 1:1	
TITLE: 埃弗勒斯 EVEREST		DRAWING NO: PW060S	
PART NO: 00		SIZE: A4	
DDI NDT SCALE DRAWING		SHEET 1 OF 1	
WWW.EVERESTCASE.COM		REV	