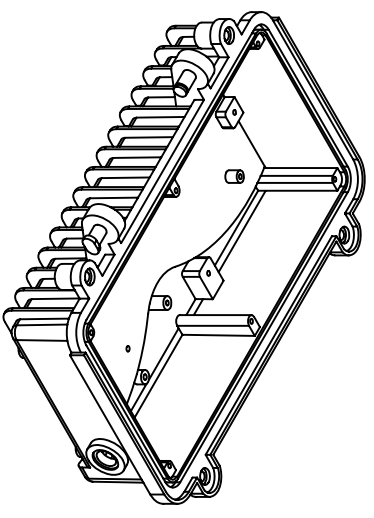
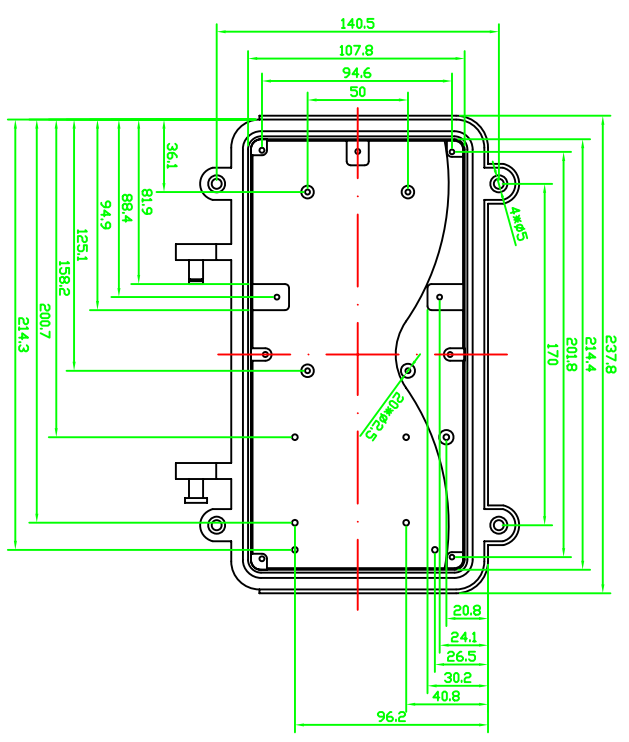
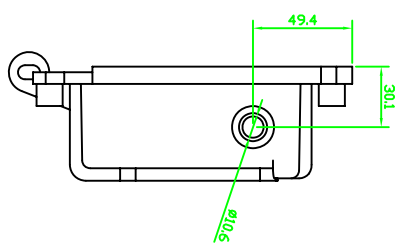
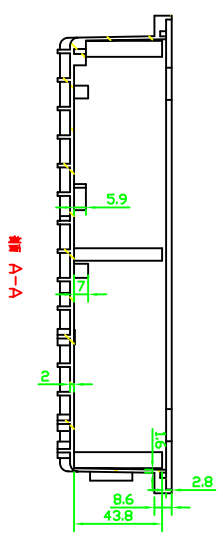


REVISION RECORD				
REV	ECD	DESCRIPTION	DRFT	CHKD

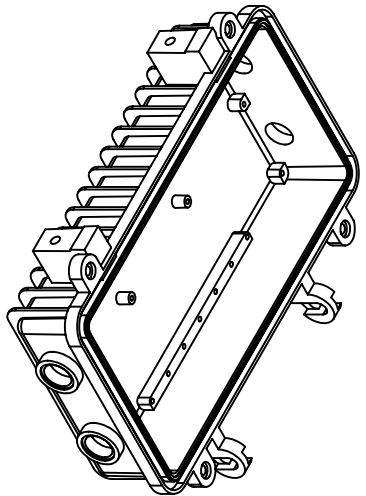
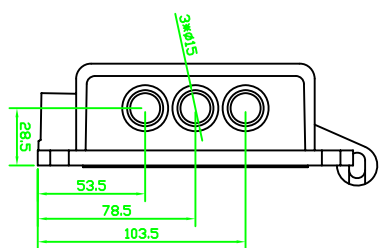
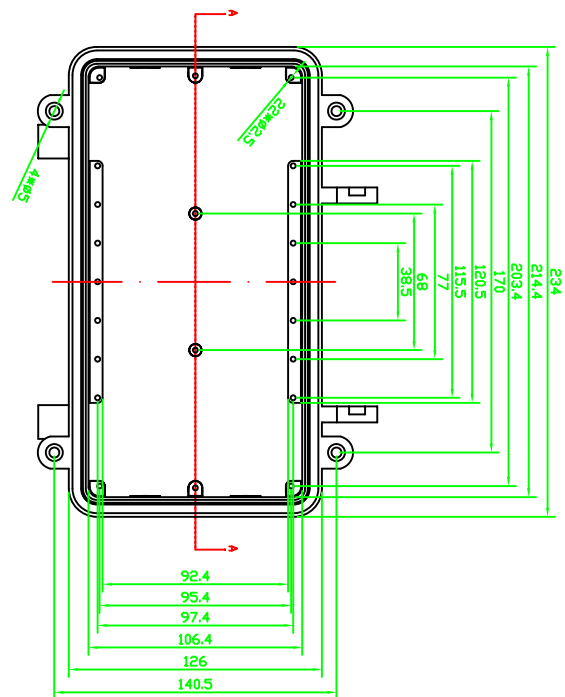
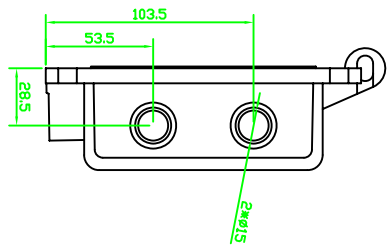
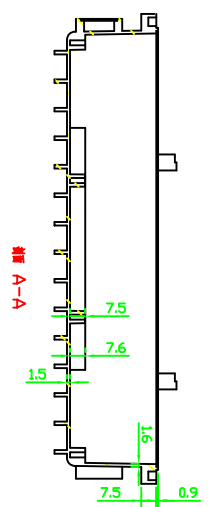


DETACHED LISTS																			
<table border="1"> <tr> <td>MM</td> <td>INCHES</td> <td>MM</td> <td>INCHES</td> </tr> <tr> <td>0.1 ± 0.3</td> <td>±</td> <td>±</td> <td>±</td> </tr> <tr> <td>0.02 ± 0.2</td> <td>±</td> <td>±</td> <td>±</td> </tr> <tr> <td>0.00 ± 0.1</td> <td>±</td> <td>±</td> <td>±</td> </tr> </table>	MM	INCHES	MM	INCHES	0.1 ± 0.3	±	±	±	0.02 ± 0.2	±	±	±	0.00 ± 0.1	±	±	±	TOLERANCES EXCEPT AS NOTED ANGLES ± 5° FIRST ANGLE PROJECTION	DRFTD CHKD MFD APPVL	DATE DATE DATE DATE
MM	INCHES	MM	INCHES																
0.1 ± 0.3	±	±	±																
0.02 ± 0.2	±	±	±																
0.00 ± 0.1	±	±	±																
MATERIAL : AL		QTY : 1																	
FINISH:		TITLE																	
SCALE : 1:3		DRAWING NO. AAP016																	
DD NOT SCALE DRAWING		/PART NO. 00																	
SHEET 1 OF 1		SIZE A4																	
REV		REV																	

**EVEREST**  
 WWW.EVERESTCASE.COM

**AAP016**

REVISION RECORD			
REV	ECD	DESCRIPTION	DRFT



DETACHED LISTS			
 FIRST ANGLE PROJECTION	TOLERANCES EXCEPT AS NOTED MM .1 ± 0.3 .00 ± 0.2 .000 ± 0.1	ANGLES ± 5° ± ±	DRFTD CHKD MFD APPVL
DATE DATE DATE DATE	MATERIAL : AL QTY : 1	FINISH : SCALE : 1:3	DATE DATE DATE DATE
TITLE <b>AAP016</b>		DRAWING NO. AAP016 /PART NO. 00	DATE DATE DATE DATE
<b>埃弗勒斯 EVEREST</b> WWW.EVERESTCASE.COM		SIZE A4	REV REV
DD NOT SCALE DRAWING		SHEET 1 OF 1	DD NOT SCALE DRAWING